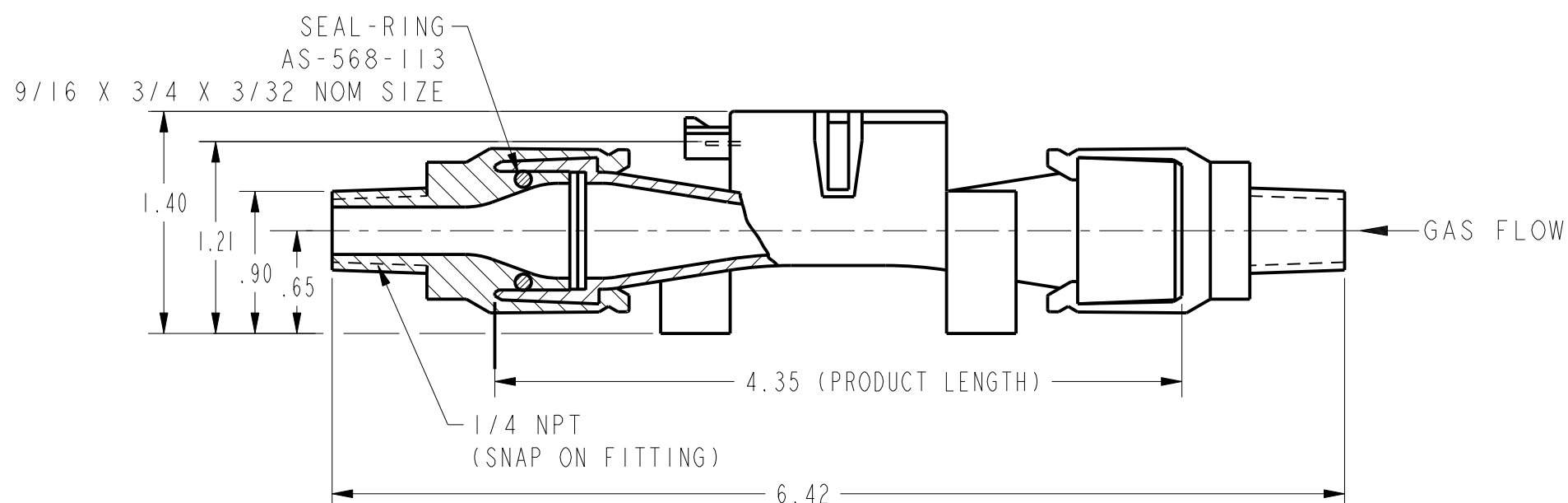




SPECIFICATIONS

RECOMMENDED POWER SUPPLY <sup>1</sup>	10.00 ± .01 VDC
MINIMUM POWER SUPPLY	8.0 VDC
MAXIMUM POWER SUPPLY	15 VDC
POWER CONSUMPTION	100mW MAX
OUTPUT TYPE	LINEAR, 1 TO 5 VDC
CALIBRATION GAS	NITROGEN
GAS FLOW RANGE *	0-20 SLM *
OUTPUT @ LASER TRIM POINT	5 VDC @ FULL SCALE FLOW
DIFFERENTIAL PRESSURE @ FULL SCALE	SEE PRESSURE VS. AIRFLOW CHART
NULL OUTPUT	1.00 ± .05 VDC
NULL OUTPUT SHIFT, 0 TO +50°C	± .050 VDC TYP, ± .100 VDC MAX
FULL SCALE OUTPUT SHIFT, 0 TO +25°C/+25 TO 50°C	4% / 5% READING MAX
LINEARITY ERROR <sup>2</sup>	± 3.0% READING
REPEATABILITY & HYSTERESIS	± 0.5% READING MAX.
RESPONSE TIME	60.0 mSEC MAX
STORAGE TEMPERATURE RANGE	-20° TO 70°C
OPERATION TEMPERATURE RANGE <sup>5</sup>	0° TO 50°C
TERMINATION (.100 CENTERS)	.025 SQUARE
CONNECTOR (4 PIN RECEPTACLE) <sup>3</sup>	AMP (103956-3)
WEIGHT	30 GRAMS (2.120Z)
SHOCK RATING	100 g PEAK, 6 mSEC HALF-SINE (3 DROPS EACH DIRECTION OF 3 AXES)
OVERPRESSURE	50 PSI MAX
LEAK RATE, MAX	0.1 PSI/MIN AT STATIC CONDITION

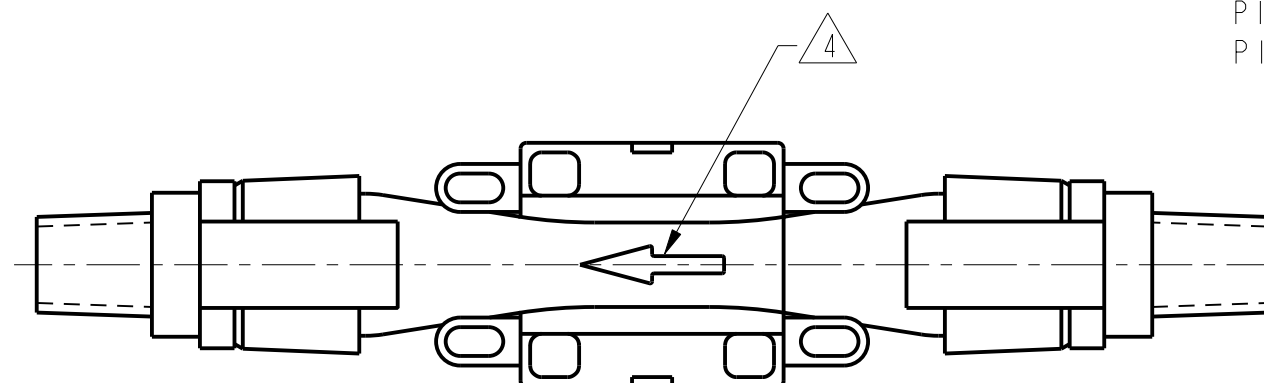


NOTES

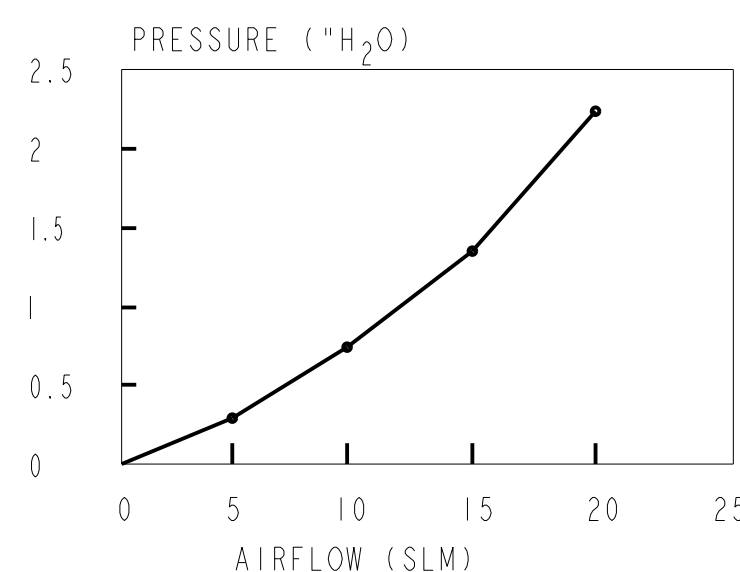
- <sup>1</sup> - CANNOT GUARANTEE CALIBRATION AT SUPPLY VOLTAGES OTHER THAN 10.00 ± .01 VDC
- <sup>2</sup> - LINEARITY SPECIFICATION APPLIES FROM 2 TO 100% FULL SCALE OF GAS FLOW RANGE, AND DOES NOT APPLY TO NULL OUTPUT AT 0 SLM \*
- <sup>3</sup> - SUPPLIED IN STRIP FORM. OTHER STRIP FORM RECEPTACLES ARE AVAILABLE, AS WELL AS VARIOUS TOOLS TO ASSEMBLE RECEPTACLES IN STRIP FORM. INDIVIDUAL RECEPTACLE ASSEMBLIES ARE ALSO AVAILABLE FROM AMP
- <sup>4</sup> - MOLDED-IN ARROW DESIGNATES GAS FLOW DIRECTION
- \* SLM DENOTES STANDARD LITERS PER MINUTE WHICH IS A FLOW MEASUREMENT REFERENCED TO STANDARD CONDITIONS OF 0°C, 760 TORR (SEA LEVEL), 50% RH
- <sup>5</sup> - TEMPERATURE TRANSITIONS 1.66°C/MINUTE MAXIMUM WHILE IN OPERATION

OUTPUT CONNECTIONS

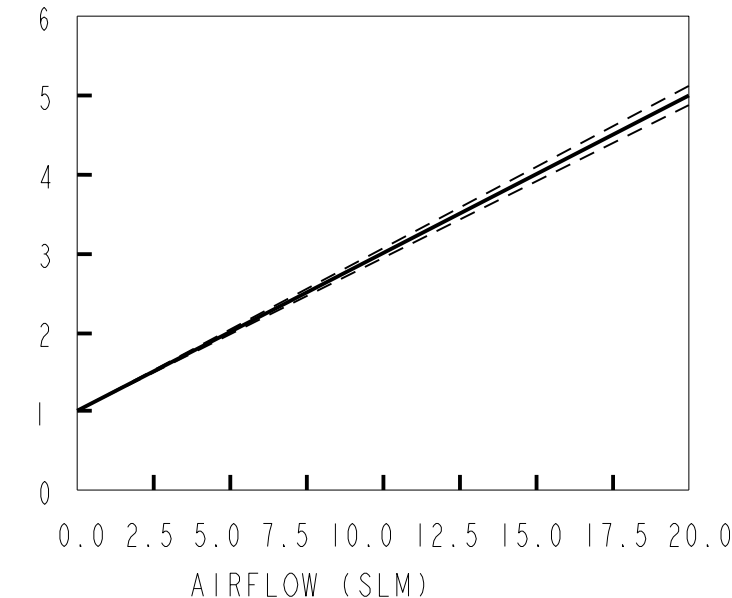
- PIN 1 + SUPPLY VOLTAGE
- PIN 2 GROUND
- PIN 3 NO CONNECTION
- PIN 4 OUTPUT VOLTAGE



PRESSURE VS. AIRFLOW



1-5 VDC LINEAR OUTPUT  
OUTPUT VOLTAGE (VDC)



± 3% READING  
 ——— MEAN  
 - - - MIN  
 - - - MAX

THIRD ANGLE PROJECTION		
SCALE FULL		
DO NOT SCALE PRINT		
UNLESS OTHERWISE SPECIFIED TOLERANCES ARE		
ONE PLACE	(.0)	± .030
TWO PLACES	(.00)	± .015
THREE PLACES	(.000)	± .005
ANGLES		±
WEIGHT		

THIS DRAWING COVERS A PROPRIETARY ITEM AND IS THE PROPERTY OF MICRO SWITCH, A DIVISION OF HONEYWELL. THIS DRAWING IS NOT TO BE COPIED OR USED WITHOUT THE APPROVAL OF MICRO SWITCH.

**MICRO SWITCH**  
a Honeywell Division

**MASS AIRFLOW SENSOR**

**AWM5104VN**

P.T.C./CAD [20] DRAWN G J W 13 MAR 01 CHECK SAV 13 MAR 01 CHECK CMH 16 JAN 08  
 REVISIONS  
 A 202464 MAR 01  
 B 0027347 22 DEC 06  
 C 0036560 16 JAN 08  
 DRAWING NUMBER 6  
 ISSUE  
 AWM5104VN  
 REPLACES X94569-AW  
 PAGE 1 OF 1  
 RELEASE NO. PR-20105